

FORGED CARBON STEEL A105N NEEDLE VALVE 3000 Psi SW

Forged carbon steel needle valve standard bore for petroleum industry, steam, oil and gas and high pressure.
Rising and rotating stem (OS&Y), monobloc type.
Graphite packing.
Compatible with explosive atmosphere, ATEX Zone 1&21 and Zone 2&22 (optional marking).



Size : DN8 to DN25
Connection : Socket Welding
Min Temperature : -29°C
Max Temperature : +250°C
Max Pressure : 200 Bars
Specifications : Rising and rotating stem (OS&Y)
 Monobloc type
 Standard bore

Materials : Forged carbon steel ASTM A105N

FORGED CARBON STEEL A105N NEEDLE VALVE 3000 Psi SW

SPECIFICATIONS :

- Respect the flow direction (indicated by the arrow)
- Standard port
- Rising rotating stem
- Monobloc
- Forged carbon steel A105N
- 3000 Psi type

USE :

- Petroleum industry, steam, high pressure
- Min and max Temperature Ts : - 29°C to + 250°C
- Max Pressure Ps : 200 bars at 20°C

FLOW COEFFICIENT Kvs (M3 / h) :

DN (mm)	8	10	15	20	25
NPS (")	1/4"	3/8"	1/2"	3/4"	1"
0	0	0	0	0	0
0.5	0.17	0.22	0.39	0.45	0.52
1	0.26	0.32	0.60	0.67	0.78
2	0.35	0.42	0.78	1.13	1.30
3	0.38	0.48	0.86	1.28	1.47
3.5	0.43	0.54	0.86	1.34	1.51
4			0.86	1.36	1.56
4.75			0.90	1.38	1.58
5				1.39	1.60
6				1.39	1.60

PRESSURE / TEMPERATURE RELATION (according to ASME B16.34) :

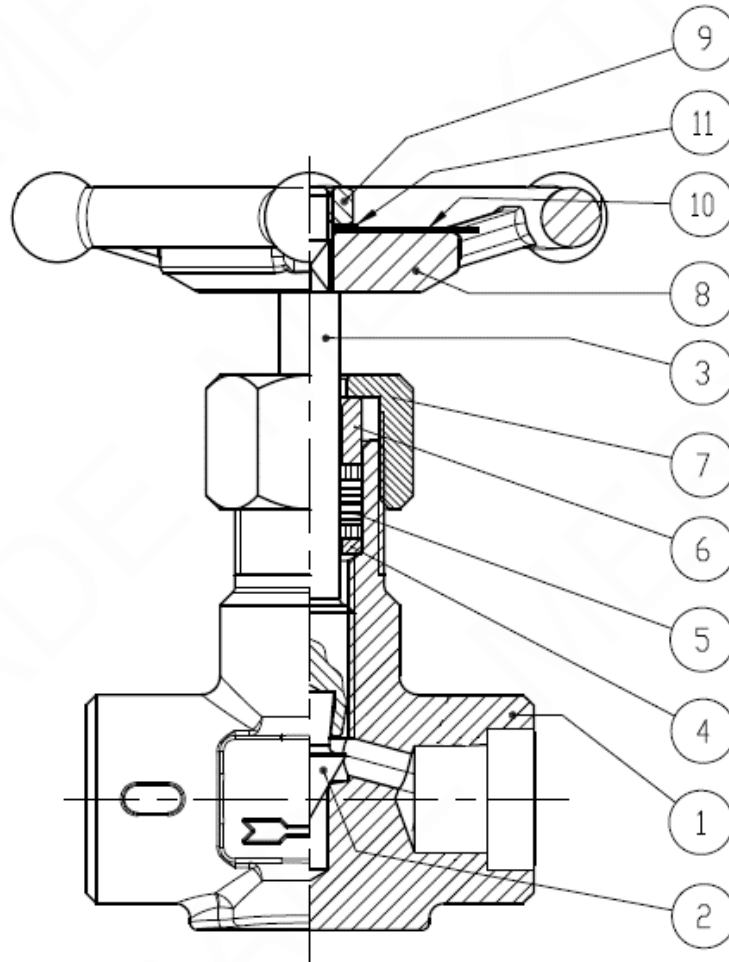
Pressure (bar)	200	200	200	200	186	180	175	167
Temperature (°C)	-29	0	38	50	100	150	200	250

RANGE :

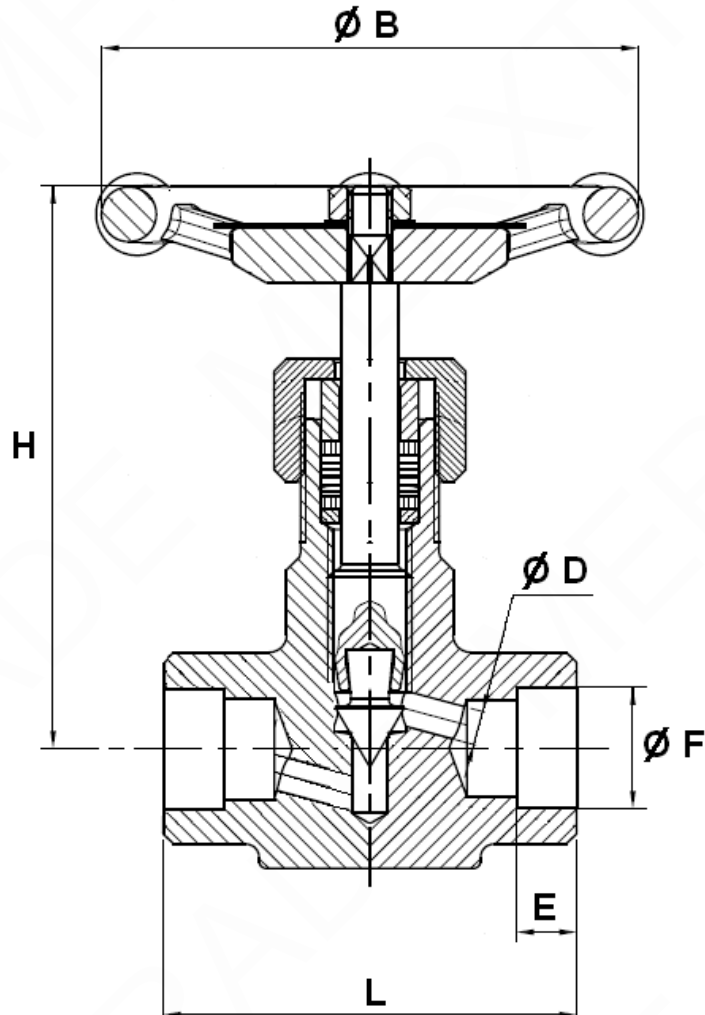
- Forged carbon steel needle valve socket welding **Ref. 486** from DN 8 to DN 25 (NPS 1/4" to DN 1")

FORGED CARBON STEEL A105N NEEDLE VALVE 3000 Psi SW

MATERIALS :



Item	Designation	Materials
1	Body	ASTM A105N
2	Needle	AISI 410 hardened
3	Stem	AISI 410
4	Ring	AISI 410
5	Packing	Graphite
6	Packing gland	AISI 410
7	Yoke nut	AISI 410
8	Handwheel	ASTM A105N
9	Handwheel nut	Carbon steel
10	Name plate	Aluminium
11	Washer	Carbon steel

FORGED CARBON STEEL A105N NEEDLE VALVE 3000 Psi SW
SIZE (in mm) :


DN (mm)	8	10	15	20	25
NPS (")	1/4"	3/8"	1/2"	3/4"	1"
Ø D	4	5	6	7	8.5
L	60	60	70	75	90
H (opened)	85	85	98	112	134
Ø B	78	78	78	78	98
E	10.1	10.1	10.3	15.5	14.5
Ø F (SW)	14.2	17.6	21.72	27.05	33.78
Weight (n Kg)	0.65	0.64	0.83	1.04	1.96

FORGED CARBON STEEL A105N NEEDLE VALVE 3000 Psi SW**STANDARDS :**

- Manufacturer certified ISO 9001 : 2015
- DIRECTIVE 2014/68/EU : Products excluded from directive (Article 4. § 3)
- Certificate 3.1 on request
- Pressure tests according to API 598, table 6
- ATEX Group II Category 2 G/2D Zone 1 & 21 Zone 2 & 22 (optional marking) according to directive 2014/34/EU

ADVICE : Our opinion and our advice are not guaranteed and MXT shall not be liable for the consequences of damages. The customer must check the right choice of the products with the real service conditions.